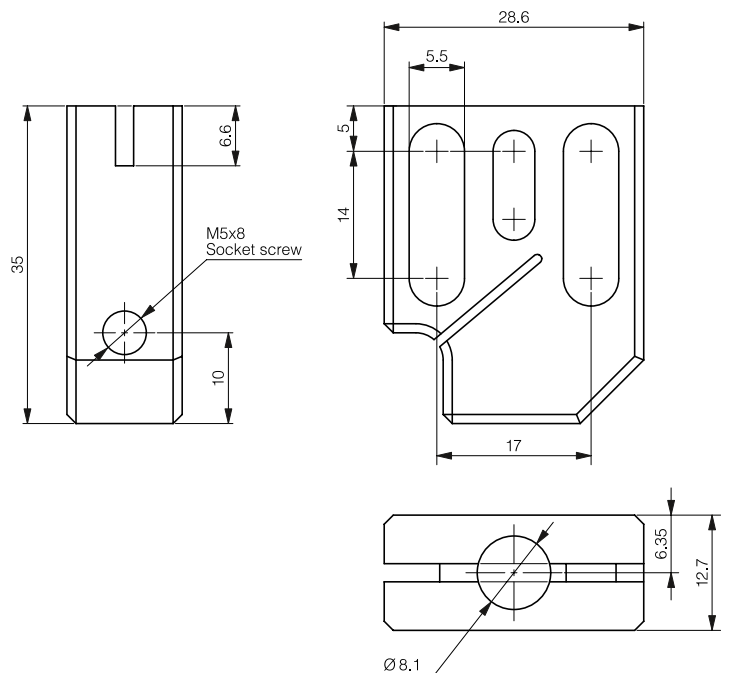
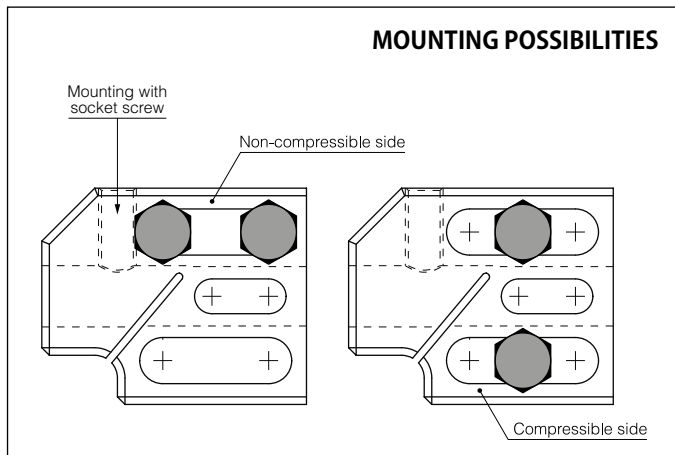
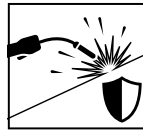


- ✓ ACTIVESTONE spatter-resistant coating
- ✓ For cylindrical sensors Ø 8 mm/M8, Ø 12 mm/M12, Ø 18 mm/M18, Ø 30 mm/M30
- ✓ Compact block-style protection
- ✓ Heavy duty all-steel construction



### MECHANICAL DATA

Material

Steel + coating

### AVAILABLE TYPES

Part number

Part reference

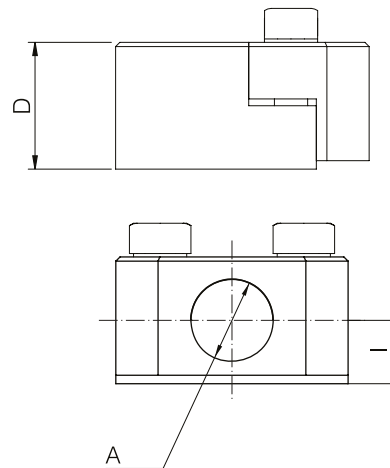
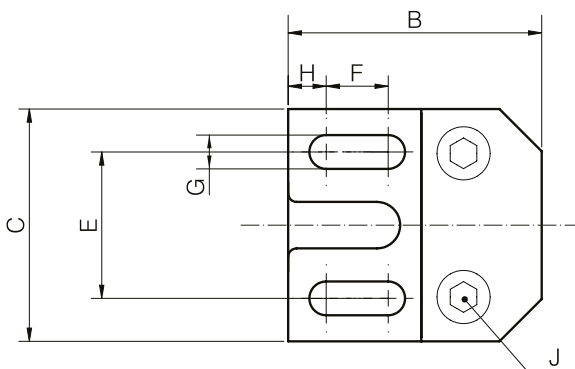
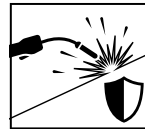
606-000-023

ASU-0041-080

*Note: additional suffix can appear to indicate a revision version or a special version.*

Operators of the products we supply are responsible for compliance with measures for the protection of persons. The use of our equipment in applications where the safety of persons might be at risk is only authorized if the operator observes and implements separate, appropriate and necessary measures for the protection of persons and machines. Terms of delivery and rights to change design reserved.

- ✓ ACTIVESTONE spatter-resistant coating
- ✓ For cylindrical sensors Ø 8 mm/M8, Ø 12 mm/M12, Ø 18 mm/M18, Ø 30 mm/M30
- ✓ Compact block-style protection
- ✓ Heavy duty all-steel construction



#### MECHANICAL DATA

Material

Steel + coating

#### AVAILABLE TYPES

Part number	Part reference	A	B	C	D	E	F	G	H	I	J
606-000-020	ASU-0041-120	12 mm / M12	38.1 mm	34.9 mm	19.05 mm	22 mm	9.31 mm	5.08 mm	5.72 mm	9.5 mm	M5x18
606-000-021	ASU-0041-180	18 mm / M18	38.1 mm	38.1 mm	25.4 mm	26 mm	11.66 mm	5.79 mm	4.50 mm	12.7 mm	M5x25
606-000-022	ASU-0041-300	30 mm / M30	44.45 mm	59.94 mm	38.1 mm	42 mm	10.49 mm	6.99 mm	6.67 mm	19.05 mm	M6x30

Note: additional suffix can appear to indicate a revision version or a special version.

Operators of the products we supply are responsible for compliance with measures for the protection of persons. The use of our equipment in applications where the safety of persons might be at risk is only authorized if the operator observes and implements separate, appropriate and necessary measures for the protection of persons and machines. Terms of delivery and rights to change design reserved.