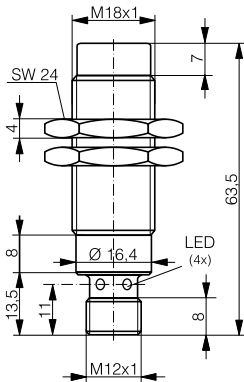
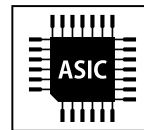


HOUSING	OPERATING DISTANCE	MOUNTING	✓ Immune to metal chips: steel, aluminum, copper, stainless steel, brass, titanium	✓ One-piece housing in stainless steel V2A ✓ IP68 and IP69K ✓ IO-Link v1.1
M18	5 mm	Non-embeddable		



DW-AS-71x-M18-967

DETECTION DATA		INTERFACE	
Rated operating distance ( $S_n$ )	5 mm	Indicator LED, yellow	Sensing state ( $0 \leq s \leq 0.8 S_r$ )
Assured operating distance ( $S_a$ )	$\leq (0.81 \times S_n)$ mm	Indicator LED, yellow, blinking	Sensing state ( $0.8 S_r < s \leq S_r$ )
Repeat accuracy	$\leq 0.35$ mm	IO-Link	✓
Hysteresis	$3\% S_r \leq \text{Hyst} \leq 15\% S_r$	MTTF (@40°C)	1028 y
Temperature drift	$\leq 10\% S_r$		
Standard target	18 x 18 x 1 mm <sup>3</sup> , FE360		

Note:  $0.9S_n \leq S_a \leq 1.1S_n$ .

ELECTRICAL DATA		MECHANICAL DATA	
Supply voltage range ( $U_B$ )	10...30 VDC	Mounting	Non-embeddable
Residual ripple	$\leq 20\% U_B$	Housing material	V2A / 1.4305 / AISI 303
Output current	$\leq 200$ mA	Sensing face material	V2A / 1.4305 / AISI 303
Output voltage drop	$\leq 2.0$ VDC	Max tightening torque	50 Nm
Power consumption (no-load)	$\leq 10$ mA	Ambient operating temperature	-25...+85°C <sup>1</sup>
Residual current	$\leq 0.1$ mA	Enclosure rating	IP68 / IP69K
Switching frequency	$\leq 200$ Hz	Weight (cable/connector)	see page 2
Short-circuit protection	✓	Shock and vibration	IEC 60947-5-2 / 7.4
Voltage reversal protection	✓		
Cable length max.	$\leq 300$ m		

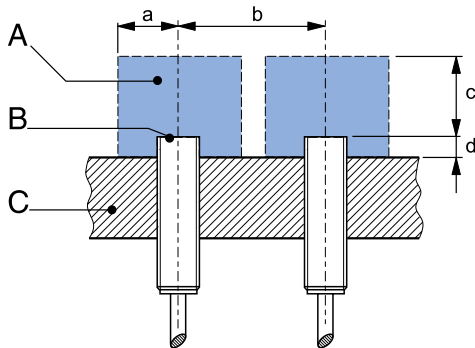
<sup>1</sup>Maximum temperature according to UL: 70°C.

Note: all data measured according to IEC 60947-5-2 standard with  $U_B=20 \dots 30$ VDC,  $T_A=23^\circ\text{C} \pm 5^\circ\text{C}$ .

## CORRECTION FACTORS FOR TARGET OF

Steel FE 360	1	Copper	1.5	Aluminum	1.7	Brass	1.7	Stainless Steel V2A 1/2 mm	0 / 0.2
--------------	---	--------	-----	----------	-----	-------	-----	----------------------------	---------

## INSTALLATION CONDITIONS



A : metal free zone      a : 10 mm      d : steel 23mm  
 B : sensing face      b : 80 mm  
 C : support      c : 15 mm

Note: additional installation information can be found in the glossary of the Contrinex General Catalog.

## IO-LINK FUNCTIONALITIES

IO-Link version	1.1
SIO mode	Supported
Process data	7-bit input
Baudrate	COM2 (38.4 kBaud)
Minimum cycle time	10.4 ms
ISDU	Not supported



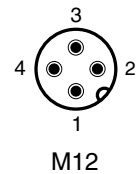
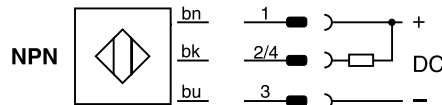
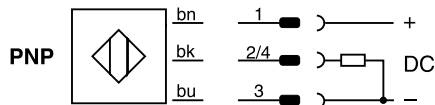
IO-Link files may be downloaded from

[www.contrinex.com/product-range/inductive-sensors/](http://www.contrinex.com/product-range/inductive-sensors/).

Select the product name to display the product page with corresponding downloads.

Alternatively, just click/scan the QR code on the left.

## WIRING DIAGRAM



## AVAILABLE TYPES

Part number	Part reference	Polarity	Connection	Output on pin 2	Output on pin 4 / bk	Weight
320-420-759	DW-AS-711-M18-967	NPN	M12 4-pin	-	Normally open (NO)	53 g
330-320-102	DW-AS-713-M18-967	PNP	M12 4-pin	-	Normally open (NO) / IO-Link	53 g

Note: part reference may include additional suffix to indicate a revision version or special version. Further information is available on request.

Operators of the products we supply are responsible for compliance with measures for the protection of persons. The use of our equipment in applications where the safety of persons might be at risk is only authorized if the operator observes and implements separate, appropriate and necessary measures for the protection of persons and machines. Terms of delivery and rights to change design reserved.